

**FLYTECH**

# K797N3, K799N3

Stainless Steel Panel PC Series



Windows



Linux

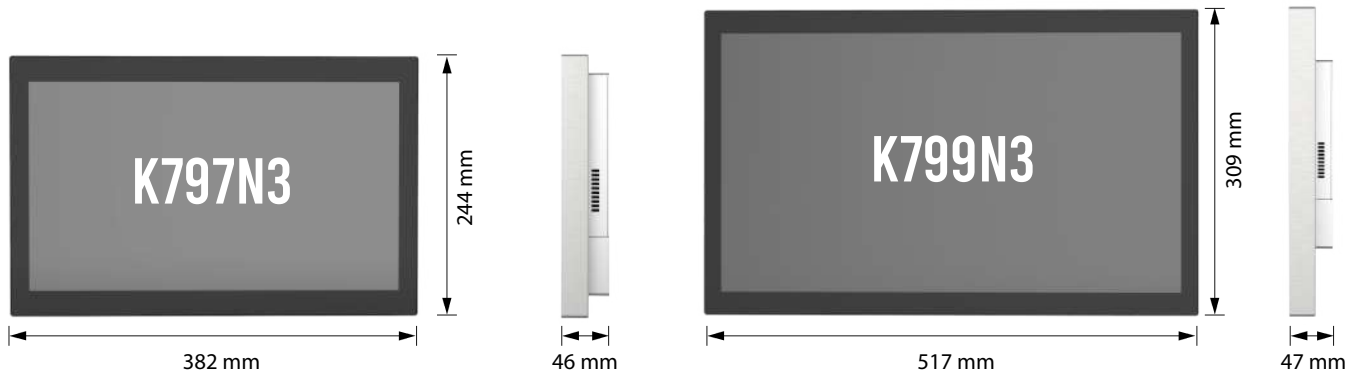
Android 13



## **KEY FEATURES:**

- Integrated with Intel® Alder Lake-N and Meteor Lake processors
- Compatible with Windows, Linux, and Android operating systems
- Touchscreen size options of 15.6" and 21.5"
- Water-resistant with front IP65 rating
- Cable cover with a cable brush to improve water resistance
- Easy access to the motherboard box for service and maintenance

## DIMENSIONS



## SPECIFICATIONS

	Motherboard	G35	G75U
<b>System</b>	Processor	Intel® Alder Lake-N: N97, i3-N305	Intel® Meteor Lake Core Ultra 5 125U
	Memory	4G/8G (DDR4)	4G/8G (DDR5)
	Storage	128G/256G SSD (M.2)	128G/256G SSD (M.2)
<b>Display</b>	Size and Resolution	K797N3: 15.6" 1920 x 1080 K799N3: 21.5" 1920 x 1080	K797N3: 15.6" 1920 x 1080 K799N3: 21.5" 1920 x 1080
	Touch Screen	True-Flat PCAP multi-touch	True-Flat PCAP multi-touch
<b>I/O Ports</b>	USB Type-A	2 x USB3.0, 4x USB2.0	4 x USB3.0, 2 x USB2.0
	USB Type-C	1 x USB3.0 full-functioned (DP/PD 5V/3A, 12V/3A)	1 x USB3.0 full-functioned (DP/PD 5V/3A, 12V/3A)
	FeDP	2 x Flytech proprietary miniDP (1 x for main display, 1 x for 2nd display)	2 x Flytech proprietary miniDP (1 x for main display, 1 x for 2nd display)
	Serial Port	3 x RJ48 (standard RS232) (default 0V; 5V; 12V)	3 x RJ48 (standard RS232) (default 0V; 5V; 12V)
	LAN	1 x RJ45	1 x RJ45
	Cash Drawer	1 x RJ11	1 x RJ11
	DC Jack	1 x 4PIN (with latch)	1 x 4PIN (with latch)
<b>Optional I/O</b>	Powered USB	2 x Powered USB 12V, 1 x Powered USB 24V	2 x Powered USB 12V, 1 x Powered USB 24V
	Secondary LAN	1 x RJ45	1 x RJ45
	Isolation Board	1 x DB9, 1 x RJ45	1 x DB9, 1 x RJ45
<b>Audio</b>	Internal Speaker	1 x 3W	1 x 3W
<b>Indicator</b>	Power Button	1	1
<b>Power</b>	Power Adapter	65W / 19V (120W/19V with PUSB12V & 24V)	120W / 19V
	POE (Option)	POE switch must meet 802.3bt Type 3	-
<b>Communication</b>	WLAN + BT	Wi-Fi 6 + BT 5.2 (Option)	Wi-Fi 6 + BT 5.2 (Option)
<b>Certificate</b>	EMC & Safety	FCC Class A, CE Mark Class A, LVD	FCC Class A, CE Mark Class A, LVD
<b>Environment</b>	Operating Temperature	0°C ~ 40°C (32°F ~ 104°F)	0°C ~ 40°C (32°F ~ 104°F)
	Storage Temperature	-20°C ~ 60°C (-4°F ~ 140°F)	-20°C ~ 60°C (-4°F ~ 140°F)
	Humidity	20% ~ 85% RH non-condensing	20% ~ 85% RH non-condensing
	Dust & Water Proof	Front IP65	Front IP65
<b>Dimensions</b>	W x H x D	K797N3: 382 x 244 x 46 mm, K799N3: 517 x 309 x 47 mm	K797N3: 382 x 244 x 46 mm, K799N3: 517 x 309 x 47 mm
<b>Mounting</b>	VESA Mount	75 x 75 mm / 100 x 100 mm	75 x 75 mm / 100 x 100 mm
<b>OS Supported</b>		Windows 10 IoT Enterprise, Linux, Android 13.0	Windows 10 IoT Enterprise, Linux, Android 13.0

※ PRODUCT SPECIFICATIONS AND DATA ARE SUBJECT TO CHANGE WITHOUT NOTICE ※

## Taiwan - Headquarters

No.168, Sing-ai Rd., Neihu District,  
Taipei City 11494, Taiwan, R.O.C.  
886-2-8791-4988  
886-2-8791-4966  
sales@flytech.com  
www.flytech.com

## U.S.A. - California

271 East Brokaw Road, San Jose,  
CA 95112, U.S.A.  
1-510-257-5180  
1-510-257-5181  
sales.americas@flytech.com

## China - Shanghai

3F Building 39, No. 333 Qin Jiang Rd.,  
Shanghai 200233, P.R.China  
86-21-5426-1555  
86-21-5426-1001  
sales@flytech.com.cn  
www.flytech.com.cn

## China - Hong Kong SAR

Rm01, 6/F, Blk A, Tonic Industrial Centre,  
26 Kai Cheung Road, Kowloon Bay,  
Kowloon, Hong Kong.  
852-3525-5800  
852-2751-7447  
sales@flytech.com.hk

